

# CMP8 - Crimping Tool

For Uninsulated Terminals

• **Material:**

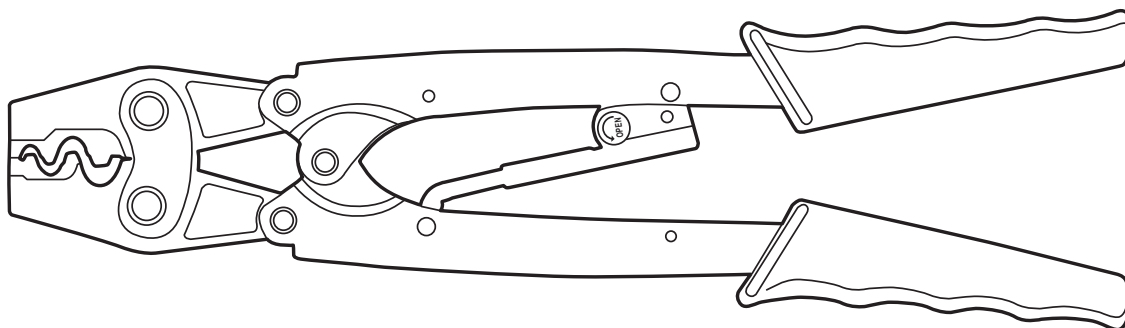
- Die material: SCM440 (HRC 42-45).
- Die surface: Black oxide.
- Handle material: S15C.
- Handle treatment: Plating.
- Handle cover: PVC (rubber).

• **Colour:**

Red.

• **Features:**

- High strength through hardened steel.
- Anti-slipping handles.



Item No.	Terminal Type	Crimping Range (mm <sup>2</sup> )	Weight (kgs)	L (mm)	Handle Colour
CMP8	Uninsulated	6.0 - 25.0	0.9	365	Red